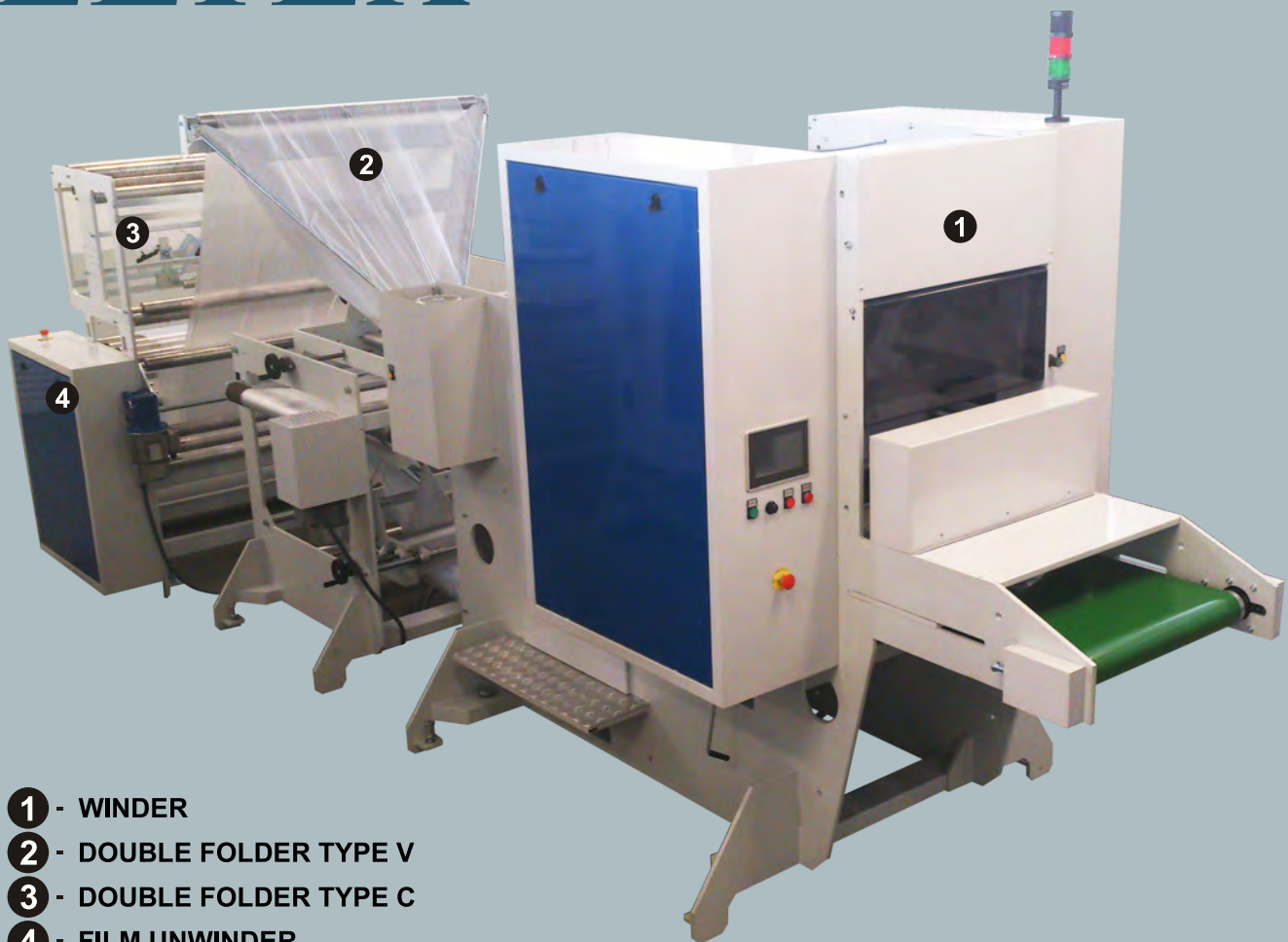


ELTEX



- 1 - WINDER
- 2 - DOUBLE FOLDER TYPE V
- 3 - DOUBLE FOLDER TYPE C
- 4 - FILM UNWINDER

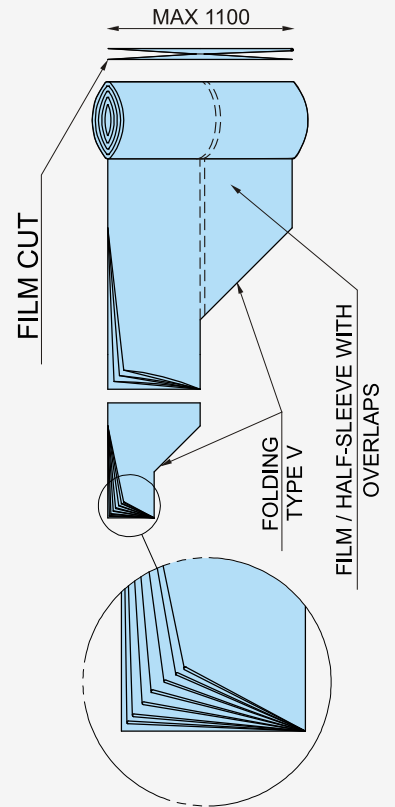
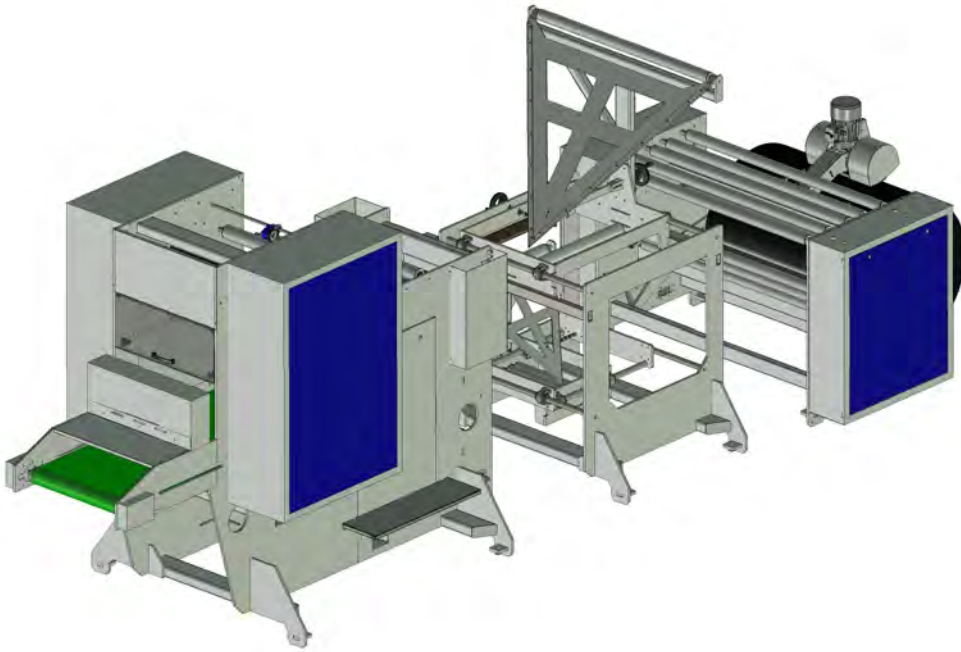
TECHNICAL DATA

- folded drop cloth width: 160 mm - 250 mm
- folded drop cloth height: 275 mm - 320 mm
- efficiency: 10 item/min. (drop-cloth 4x5 m)
- film thickness: to 5 μ m to 60 μ m
- energy requirements: 5,5 kW 3x380V 50Hz
- compressed air: 6bar 150 L/min
- dimensions: length=6000 mm
width=2000 mm
height=2115 mm
- weight: 3000 kg



TORO 1100 / 2V

ELTEX



TORO 1100 / 2C

ELTEX

