

KARO 800

ROLL-BAG MACHINE FOR PRODUCTION
A BAGS-ON-A-ROLL WITH PERFORATION

ELTEX



- ① - WRAPPER
- ② - WINDER
- ③ - FOLDER TYPE 2C
- ④ - WELDING AND PERFORATION SYSTEM
- ⑤ - PERFORATION SYSTEM TYPE "SINUS"
- ⑥ - FOLDERS TYPE V
- ⑦ - FILM UNWINDER

TECHNICAL DATA

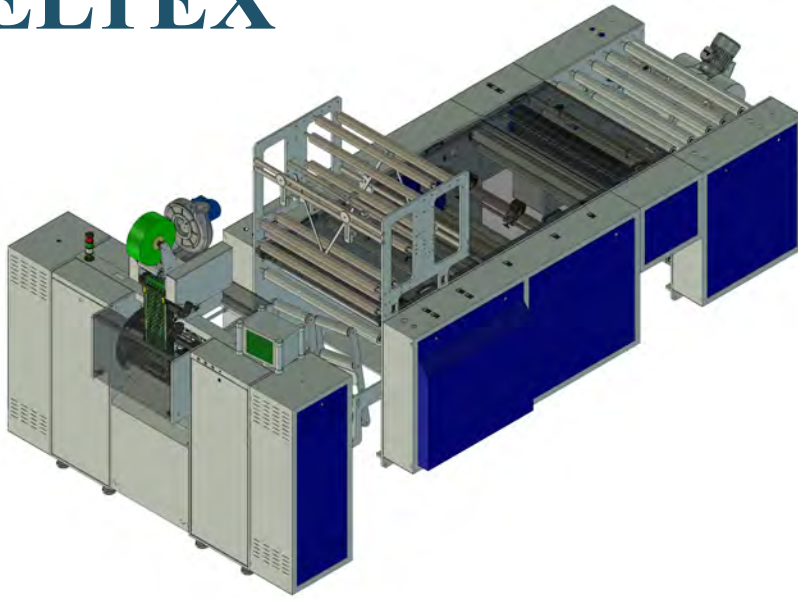
- bag length 570 mm to unlimited
- welding width 1x800 mm one-track work
2x380 mm two-track work
- end product width 1x500 mm
2x200 mm
- roll diameter max 160 mm
- number of rolls / min 1 track - 12 items
2 tracks - 24 items
- film velocity 120 m/min
- dimensions length=6700 mm
width=2400 mm
height=2300 mm
- weight 4500 kg
- energy requirements installed power 17,5 kW
compressed air 180 l/min 6 bar



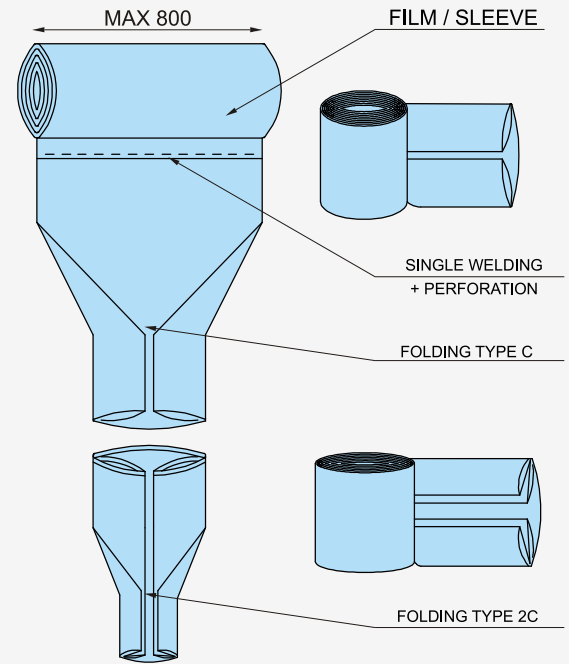
KARO 800 2C

ONE-TRACK MACHINE

ELTEX



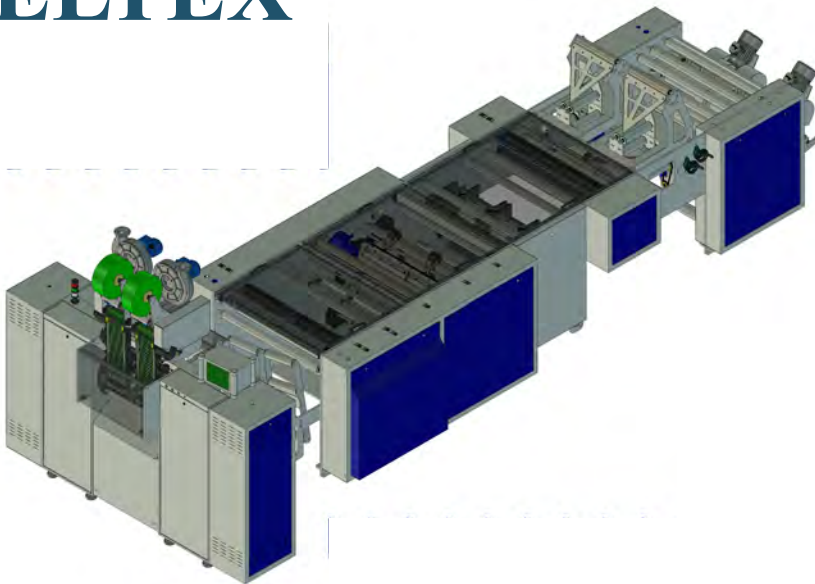
GREAT RELIABILITY OF WORK AS A RESULT OF APPLYING THE LATEST TECHNOLOGICAL SOLUTIONS ENABLE US TO GIVE **24-MONTHS WARRANTY OF ELTEX ROLL-BAG MACHINES.**



KARO 800 2V/SIN

TWO-TRACK MACHINE

ELTEX



THE NOVEL SOLUTION OF ELTEX ROLL-BAG MACHINES IS **INDEPENDENT REGULATION OF WELDING TEMPERATURE IN SEPARATE TRACKS.** IT ALLOWS SIMULTANEOUS WELDING OF FILMS MADE FROM DIFFERENT MATERIALS.

